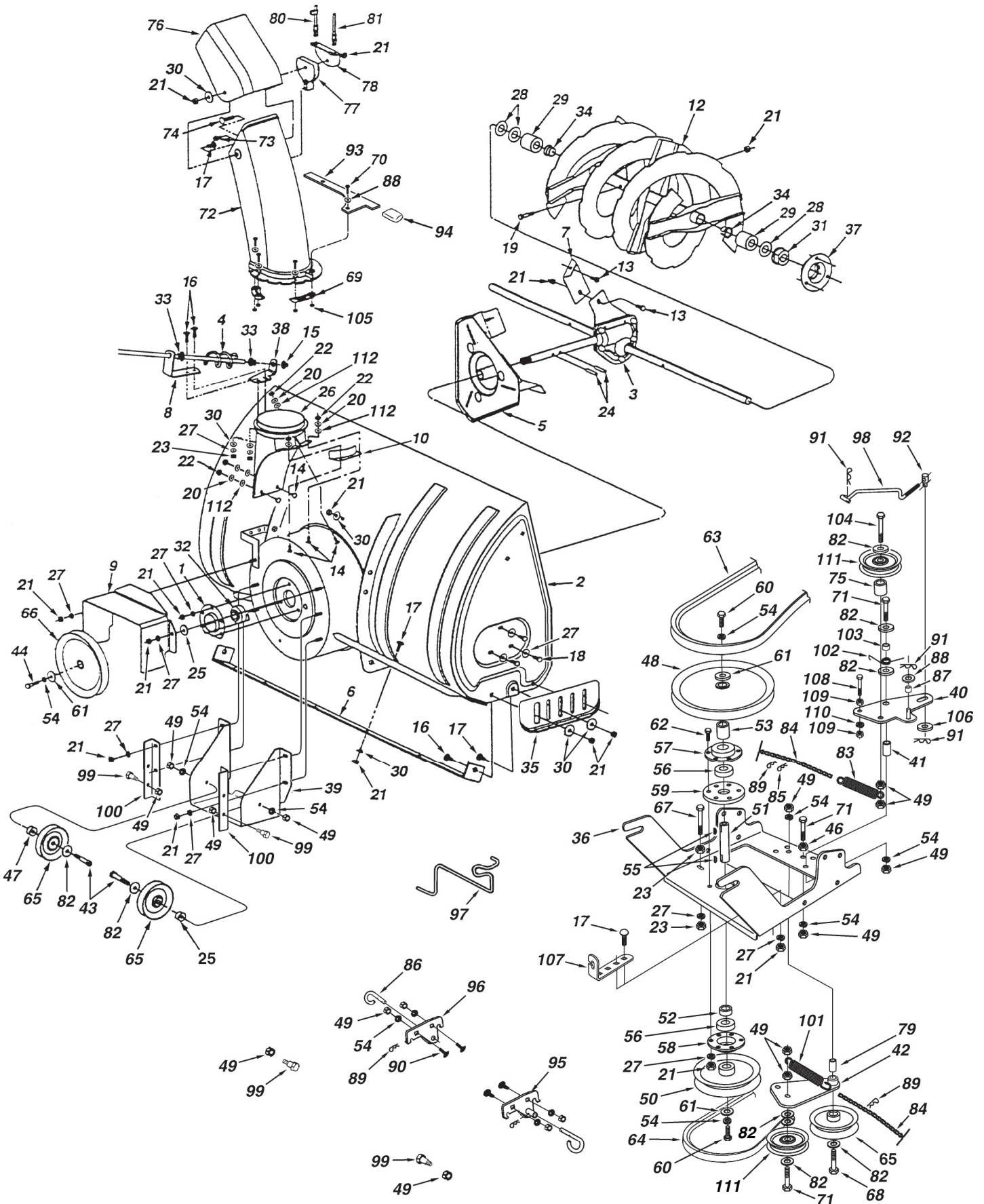


PARTS

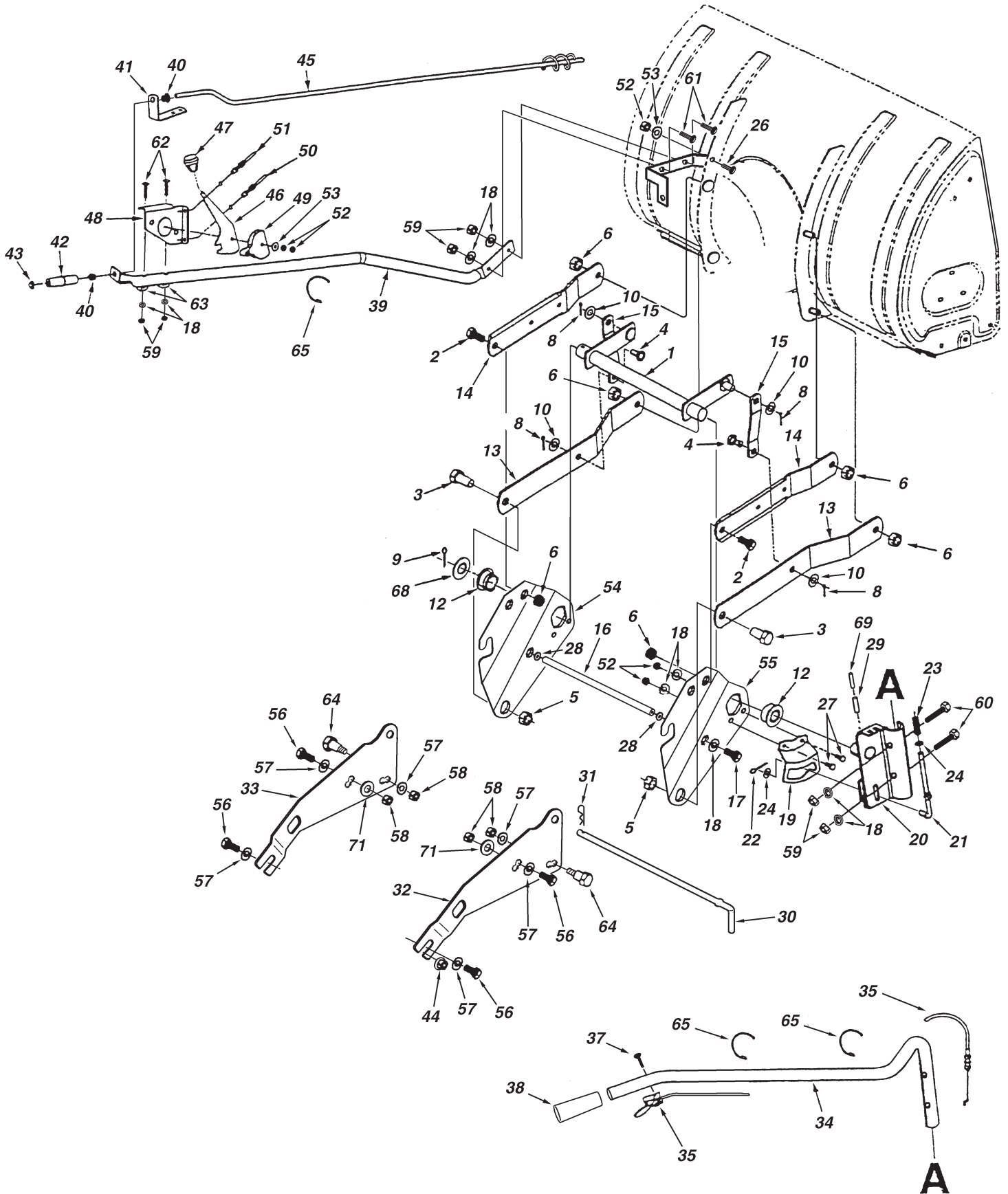
REPAIR PARTS FOR MODEL LST 42A - 42" SNOW THROWER



REPAIR PARTS FOR MODEL LST 42A - 42" SNOW THROWER

REF. NO.	PART NO.	QTY.	DESCRIPTION	REF. NO.	PART NO.	QTY.	DESCRIPTION
1	05931	1	Housing, Bearing	57	08253B	1	Housing, Bearing
2	64184	1	Housing Assembly	58	15296A	1	Housing, Open Bearing
3	618-0616	1	Gear Assembly	59	14088B	1	Spacer, Spindle
4	63579	1	Chute Crank Rod Assembly	60	44377	2	Hex Bolt, 3/8-24 x 1"
5	63768	1	Impeller Assembly	61	736-0247	3	Washer,
6	24773	1	Scraper Plate	62	43063	3	Hex Bolt, 5/16-18 x 1"
7	703-2734	1	Bracket, Housing Brace	63	48138	1	Belt, V Type Drive
8	703-2735A	1	Bracket, Chute Crank	64	47846	1	Belt, V Type Auger
9	24816	1	Cover, Belt	65	47044	3	Pulley, V Type 4"
10	705-5226	1	Chute Reinforcement	66	47026	1	Pulley, V Type
11	705-5269	1	Spiral Assembly, L.H. (not shown)	67	47025	1	Hex Bolt, 5/16-18 x 3-1/2"
12	705-5270	1	Spiral Assembly, R.H.	68	43432	1	Hex Bolt, 3/8-16 x 2-1/2"
13	43182	2	Hex Bolt, 5/16-18 x 3/4" Lg.	69	731-0851A	3	Chute Keeper
14	44950	5	Carriage Bolt, 1/4-20 x 3/4"	70	43661	6	Hex Bolt, 1/4-20 x 1"
15	44917	1	Palnut, 3/8"	71	43054	3	Hex Bolt, 3/8-16 x 2"
16	44326	4	Carriage Bolt, 5/16-18 x 1" Lg.	72	731-1300A	1	Chute, Lower
17	43080	13	Carriage Bolt, 5/16-18 x 3/4" Lg.	73	710-0896	1	Screw, 1/4-14 x 5/8"
18	46703	6	Bolt, Self-Tap 5/16" x 3/4"	74	43681	1	Carriage Bolt, 5/16-18 x 1-1/2"
19	710-0890A	2	Bolt, Shear 5/16-18 x 1-1/2"	75	24571	1	Spacer
20	43088	5	Washer, 1/4"	76	731-04427	1	Chute, Upper
21	43064	34	Hex Lock Nut, 5/16-18 Thd.	77	731-1313C	1	Guide, Cable
22	43013	5	Hex Lock Nut, 1/4-20	78	784-5594	1	Bracket, Cable
23	43083	4	Hex Nut, 5/16-18	79	24472	1	Spacer, Pivot
24	715-0114	2	Spiral Pin, 1/4" x 1-1/2" Lg.	80	746-0929	1	Cable, Chute Control With Clip
25	750-0437	2	Bushing	81	746-0928	1	Cable, Chute Control
26	731-1379A	1	Chute Adapter	82	43070	9	Washer, 3/8"
27	43086	23	Lock Washer, 5/16"	83	46959	1	Spring
28	736-0188	6	Washer, .76" x 1.49" x .06"	84	46963	2	Chain
29	711-0469	4	Spacer, .75 ID x 1.25 OD x .5 L	85	43055	1	Pin, Hair Cotter, 3/32"
30	43081	18	Washer, 5/16" Std. Wrt.	86	43038	2	Pin, Pivot Lock
31	47615	2	Bearing, Flange	87	23727	1	Spacer
32	741-0309	1	Bearing, Ball	88	43088	7	Washer, 1/4"
33	741-0475	2	Bushing, Plastic 3/8"	89	43343	4	Pin, Hair Cotter #4 (1/8")
34	741-0493A	4	Bearing, Split, 3/4"	90	43350	4	Carriage Bolt, 3/8-16 x 1"
35	24279	2	Skid Shoe	91	47134	3	Pin, Hair Cotter 5/64"
36	24294	1	Frame Clutch and Pulley	92	711-0198	1	Trunnion
37	784-5618	2	Housing, Bearing	93	24394	1	Bracket, Chute Anti-rotation
38	24393	1	Bracket, Chute Crank	94	1643-60	1	Plastic Cap
39	24281	1	Bracket, Idler	95	64452	1	Hanger Bracket Assembly, R.H.
40	63904	1	Idler Arm Assembly	96	64451	1	Hanger Bracket Assembly, L.H.
41	24286	1	Spacer, Pivot	97	47043	1	Keeper, Engine Pulley
42	63762	1	Idler Bracket Assembly	98	46948	1	Rod, Engagement
43	41576	2	Hex Bolt, 3/8-16 x 1-3/4"	99	48106	4	Bolt, Shoulder
44	44377	1	Hex Bolt, 3/8-24 x 1"	100	24466	2	Bracket, Down Stop
46	43015	1	Hex Nut, 3/8-16	101	47620	1	Spring
47	711-0242	1	Spacer	102	47607	1	Spring, Torsion
48	46981	1	Pulley, V Type 9"	103	23625	1	Spacer
49	43082	17	Nut, Hex Lock, 3/8-16	104	43509	1	Hex Bolt, 3/8-16 x 2-3/4" Lg.
50	46982	1	Pulley, V Type 5-1/2"	105	47598	6	Hex Lock Nut, 1/4" Wash. Face
51	738-0680	1	Shaft	106	47605	1	Washer, Flat 3/8"
52	750-0456	1	Spacer	107	24558	1	Cable Bracket
53	750-0660	1	Spacer	108	43796	1	Hex Bolt, 1/4-20 x 2-3/4"
54	43003	12	Lock Washer, 3/8"	109	43178	2	Hex Nut, 1/4-20
55	714-0161	2	Key	110	43177	1	Lock Washer, 1/4"
56	741-0919	2	Bearing, Ball	111	48883	2	Pulley, Flat 3-5/8"
				112	48015	5	Washer, Nylon
					49784	1	Owner's Manual

REPAIR PARTS FOR MODEL LST 42A - 42" SNOW THROWER



REPAIR PARTS FOR MODEL LST 42A - 42" SNOW THROWER

REF. NO.	PART NO.	QTY.	DESCRIPTION	REF. NO.	PART NO.	QTY.	DESCRIPTION
1	64637	1	Lift Shaft Assembly	41	703-2735A	1	Bracket, Chute Crank
2	710-0865	2	Hex Bolt, 1/2-13 x 1"	42	720-0201A	1	Knob, Crank
3	710-0367	2	Hex Bolt, 5/8-11 x 1-1/4"	43	44917	1	Palnut, 3/8"
4	711-0332	2	Pin, Bracket Lift	44	46584	1	Nut, Whizlock 5/16-18
5	712-0261	2	Nut, Hex Lock 5/8-11 Thread	45	63579	1	Assembly, Chute Crank Rod
6	43262	6	Nut, Hex Lock 1/2-13	46	784-5604	1	Handle, Chute Tilt
8	142	4	Pin, Cotter 1/8" x 3/4"	47	720-0232	1	Knob
9	43093	1	Pin, Cotter 1/8" x 1-1/2"	48	603-0302	1	Assembly, Chute Tilt Bracket
10	R19171616	6	Washer, 17/32" x 1"	49	731-1313C	2	Guide, Cable
12	741-0192	2	Bearing, Flange With Flats	50	746-0928	1	Cable, Chute Control
13	783-0380	2	Link, 15.80" Long	51	746-0929	1	Cable, Chute Control with Clip
14	783-0381	2	Link, 11.75" Long	52	43064	5	Nut, Hex Lock 5/16-18
15	24476	2	Link, 4.88" Long	53	43081	2	Washer, 5/16"
16	24311	1	Rod, Spacer	54	24285	1	Plate, Mounting (L.H.)
17	47599	2	Hex Bolt, 5/16-18 x 1" (Locking)	55	24284	1	Plate, Mounting (R.H.)
18	43086	10	Lock Washer, 5/16"	56	47631	4	Hex Bolt, 3/8-16 x 1" Self Thr.
19	24298	1	Bracket, Lift	57	43003	6	Lock Washer, 3/8"
20	63773	1	Assembly, Handle Lift Bracket	58	43082	4	Nut, Hex Lock 3/8-16
21	48049	1	Rod, Index Lift	59	43083	6	Nut, Hex 5/16-18
22	142	1	Cotter Pin, 1/8" x 3/4"	60	43084	2	Hex Bolt, 5/16-18 x 1-3/4"
23	732-0306	1	Spring, Compression	61	43682	2	Carriage Bolt, 5/16-18 x 1-1/4"
24	R19131316	2	Washer, 13/32" x 13/16"	62	44215	2	Carriage Bolt, 5/16-18 x 1-3/4"
26	43080	1	Carriage Bolt, 5/16-18 x 3/4"	63	44695	2	Washer, Bowed
27	43182	2	Hex Bolt, 5/16-18 x 3/4"	64	48106	2	Bolt, Shoulder
28	R19111116	2	Washer, 11/32 x 11/16 x 3/64	65	726-0178	3	Tie, Nylon
29	47368	1	Pin, Spring 5/16" x 1-3/4"	68	43601	1	Washer, 1.59" x 1.032" x .060"
30	46954	1	Pin, Attachment	69	47369	1	Pin, Spring 3/16" x 1-3/4"
31	43343	1	Pin, Haircotter #4 (1/8")	71	R19172410	2	Washer, 1/2"
32	24654	1	Plate, Side (R.H.)				
33	24653	1	Plate, Side (L.H.)				
34	47326	1	Tube, Lift Handle				
35	49912	1	Cable-Trigger Assembly				
37	710-1233	1	Screw, Oval #10-24 x 1"				
38	46446	1	Grip, Handle				
39	47027	1	Tube, Crank Rod Support				
40	741-0475	2	Bushing, 3/8" Plastic				